



**TFK Ersatzteilkatalog**  
**TFK spare part catalogue**

**04/2016**





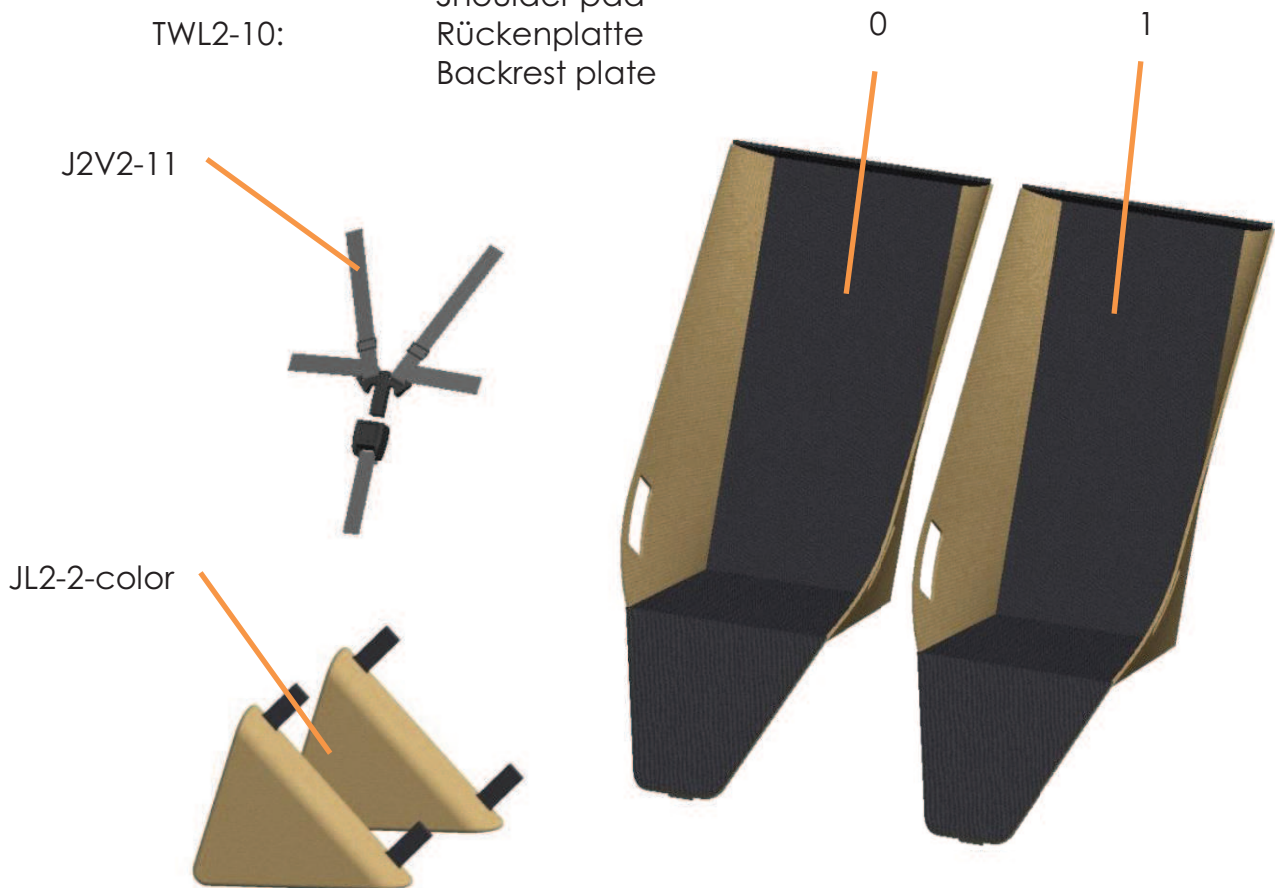
## Twinner Lite





## TWL2 - Twinner Lite - Sitz/seat

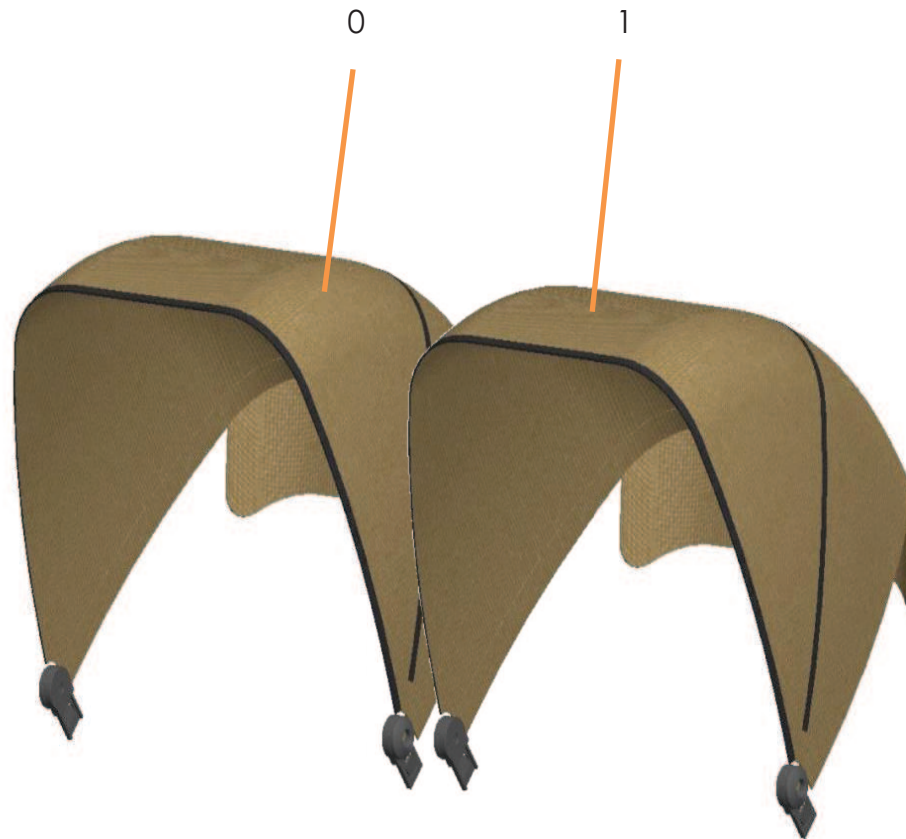
TWL2-3-color: Gurtpolster  
Shoulder pad  
TWL2-10: Rückenplatte  
Backrest plate



Artikel/Article	Beschreibung/Description	Unit
TWL2-0-010	Twiner Lite - Sitzeinhang, rechts Twiner Lite - seat cover, right	Stck
TWL2-1-010	Twiner Lite - Sitzeinhang, links Twiner Lite - seat cover, left	Stck
TWL2-3-color	Twiner Lite - Gurtpolster Twiner Lite - belt pad	Set
TWL2-10	Twiner Lite - Rückenplatte Twiner Lite - backrest plate	Stck
JL2-2-color	Lite - Seitentaschen (2 Stck) Lite - side pockets (2 pcs)	Set
J2V2-11	5-Punkt Gurt 5-point harness	Stck



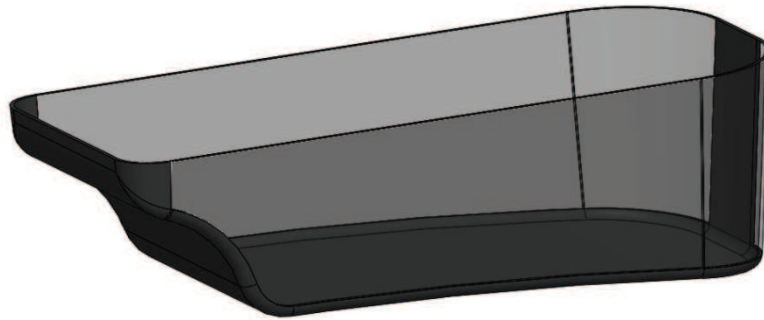
## TWL3 - Twinner Lite - Verdeck/hood



Artikel/Article	Beschreibung/Description	Unit
TWL3-0-color	Twiner Lite - Verdeck, rechts Twiner Lite - hood, right	Stck
TWL3-1-color	Twiner Lite - Verdeck, links Twiner Lite - hood, left	Stck



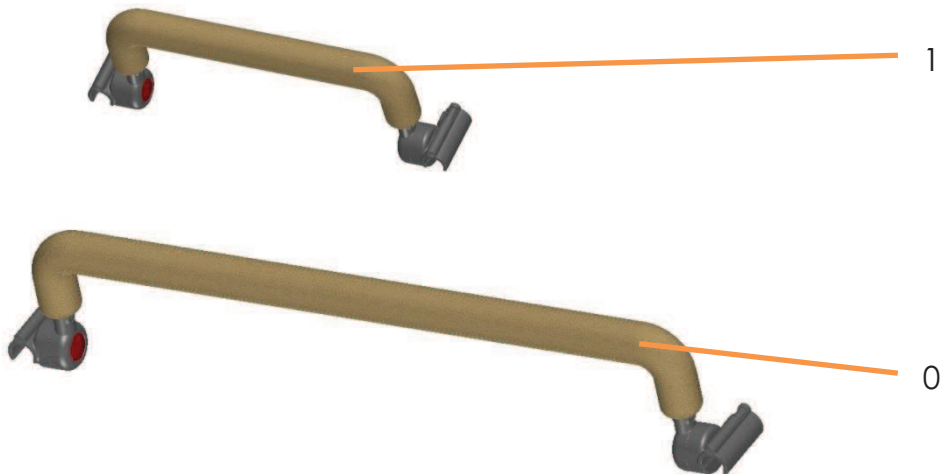
## TWL4 - Twinner Lite - Korb/basket



Artikel/Article	Beschreibung/Description	Unit
TWL4-0	Twiner Lite - Korb (1Stück) Twiner Lite - basket (1piece)	Stck



## TWL5 - Twinner Lite - Bauchbügel/bumper bar

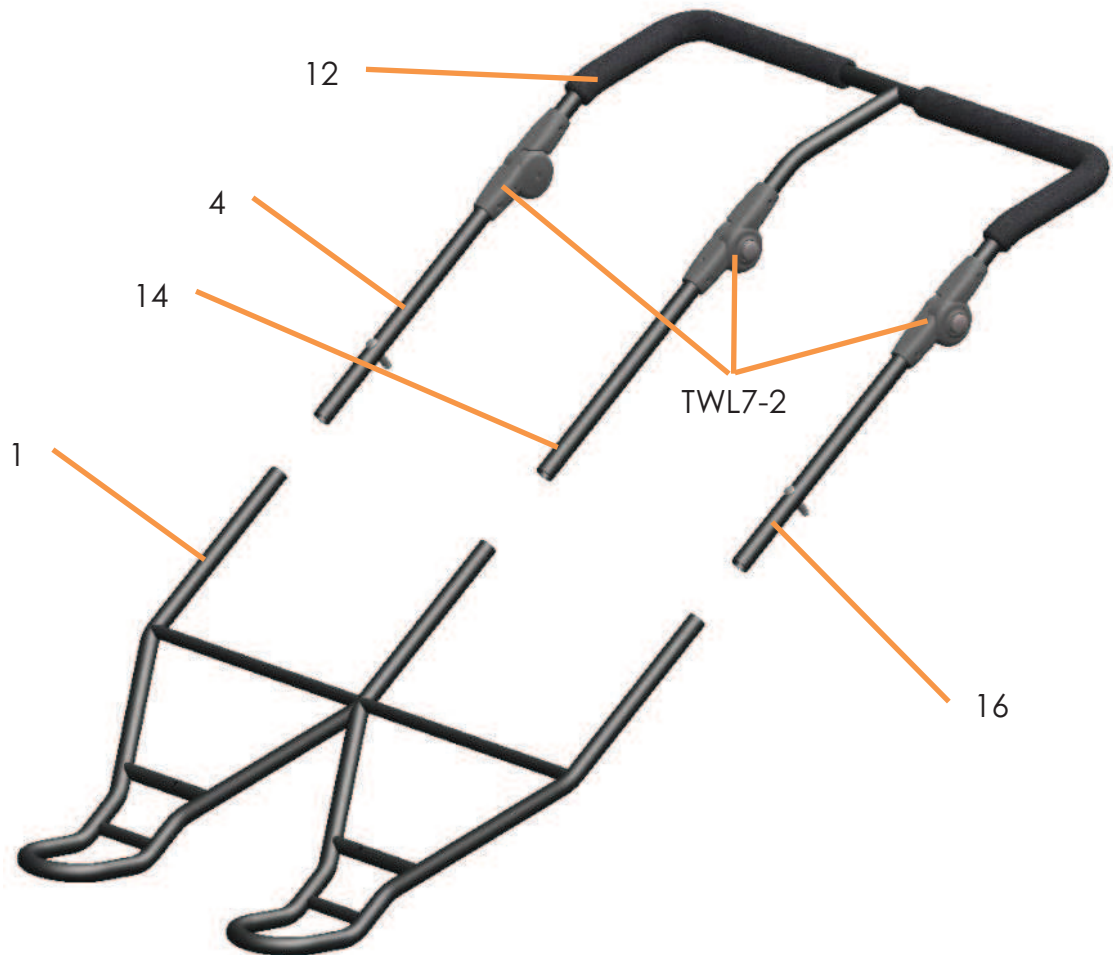


Artikel/Article	Beschreibung/Description	Unit
TWL5-1-color	Twiner lite - Bauchbügel, schmal Twiner lite - bumper bar, small	Stck
TWL5-0-color	Twiner lite - Bauchbügel, breit Twiner lite - bumper bar, large	Stck



## TWL6 - Twinner Lite - Vorderrahmen/front frame

JL7-1: Fußbrett / foot rest



Artikel/Article	Beschreibung/Description	Unit
TWL6-1	Twinner lite - Frontrahmen ohne Fußbrett Twinner lite - front frame without footrest	Stck
TWL6-4	Twinner lite - A-Rahmen Strebe, Rechts Twinner lite - frame tube A-frame, right	Stck
TWL6-12	Twinner lite - Schiebegriff Twinner lite - push bar	Stck
TWL6-14	Twinner lite - A-Rahmen Strebe, Mitte Twinner lite - frame tube A-frame, middle	Stck
TWL6-16	Twinner lite - A-Rahmen Strebe, Links Twinner lite - frame tube A-frame, left	Stck
TWL7-2	Twinner lite - Höhenversteller + Montagematerial Twinner lite - height adjustment + mounting material	Set
JL7-1	lite - Fußbrett + Montagematerial lite - foot rest + installation material	Stck



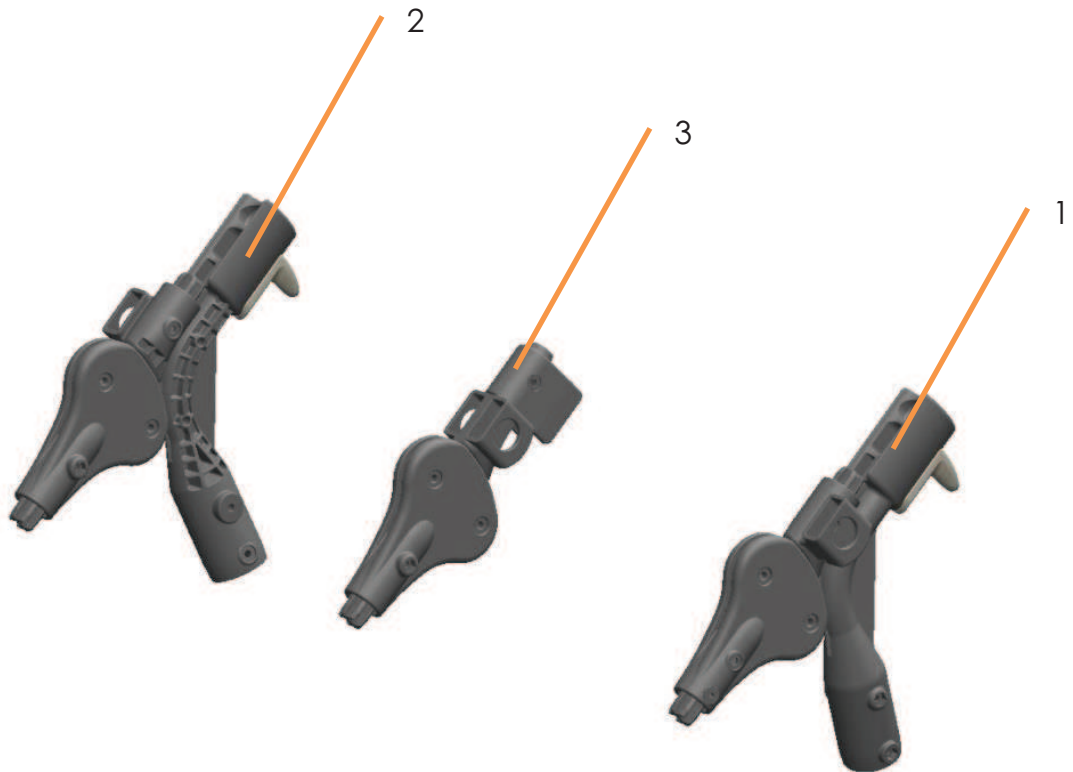
## TWL9 - Twinner Lite - Hinterrahmen/rear frame



Artikel/Article	Beschreibung/Description	Unit
TWL9-1	Twinner lite - Hinterrahmen mit Carbonrohren Twinner lite - rear frame with carbon tubes	Stck
TWL9-2	Twinner lite - Hinterradachse Twinner lite - axle for rear wheel	Stck



## TWL11 - Twinner Lite - faltgelenk/folding hinge



Artikel/Article	Beschreibung/Description	Unit
TWL11-1	Twiner lite - faltgelenk + Montagematerial, links Twiner lite - folding hinge + Mounting material, left	Set
TWL11-2	Twiner lite - faltgelenk + Montagematerial, rechts Twiner lite - folding hinge + Mounting material, middle	Set
TWL11-3	Twiner lite - faltgelenk + Montagematerial, mitte Twiner lite - folding hinge + Mounting material, right	Set



## TWL12 - Twinner Lite - Korbrahmen/basket frame

2: Montagematerial / mounting material



Artikel/Article	Beschreibung/Description	Unit
TWL12-0	Twiner lite - Korbrahmen Twiner lite - basket frame	Stck
TWL12-1	Twiner lite - Korbrahmen Montagematerial Twiner lite - mounting material for basket frame	Set